

Manifolds/Connector Interfaces

Outside gripping manifolds

T-Manifolds	2
Y-Manifolds	3
V-Manifolds	4
M-Manifolds	4
A-Manifolds	5

Inside gripping manifolds

T-Manifolds	6
Multiple Manifold	6
Y-Manifold	7

Connector interfaces

Form A – straight	8
Form B – cross	8
Form C – lengthwise	8
Form D – turnable	8

Errors and omissions excepted.

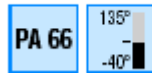


T-Manifolds

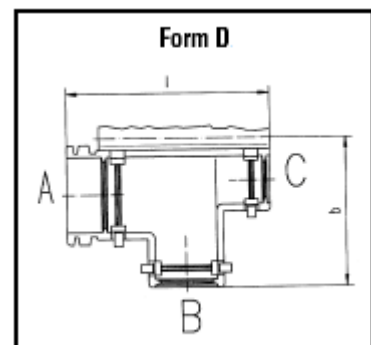
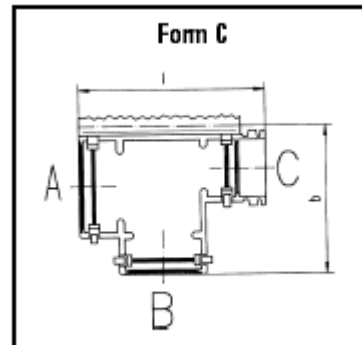
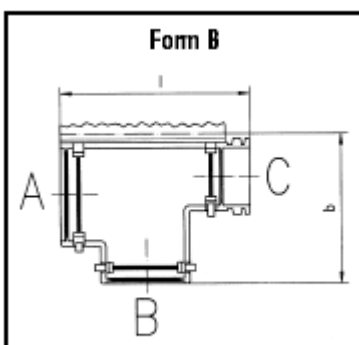
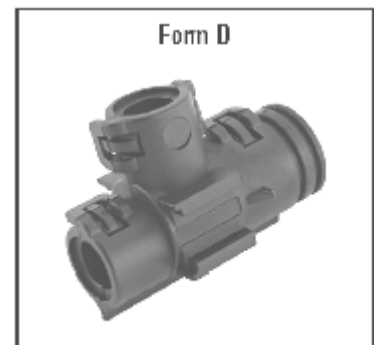
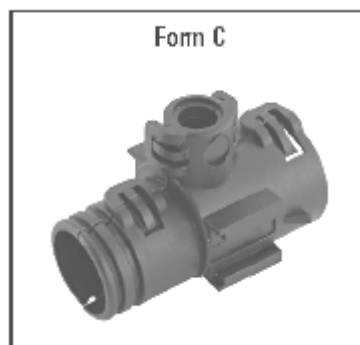
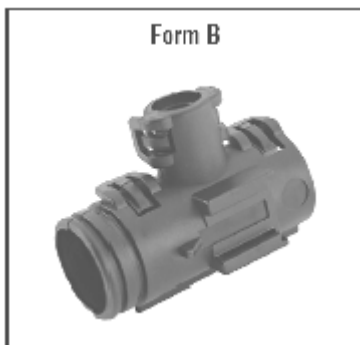
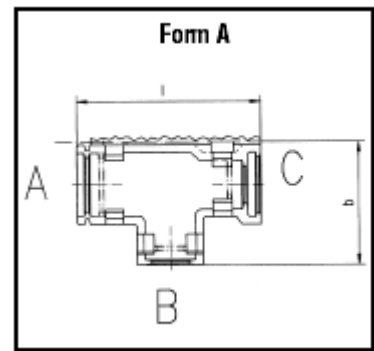
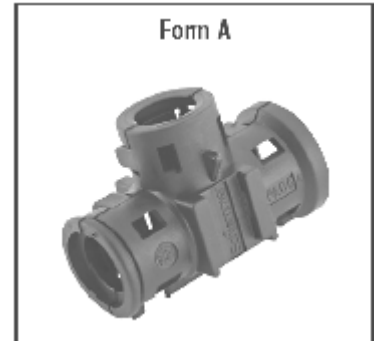
black

Material:
Polyamide 66

Maximum temperature:
240 h/150°C



Characteristics:
• outside gripping





Y-Manifolds

black

Material:

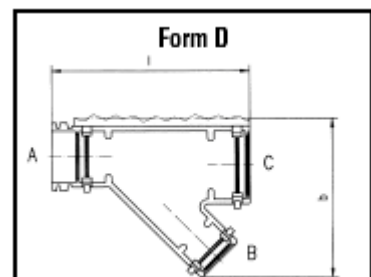
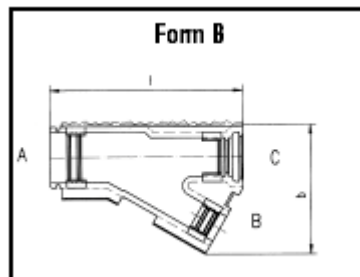
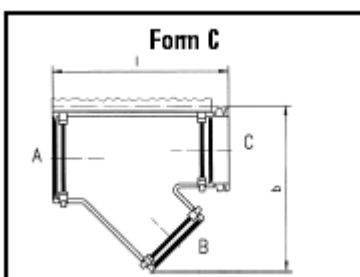
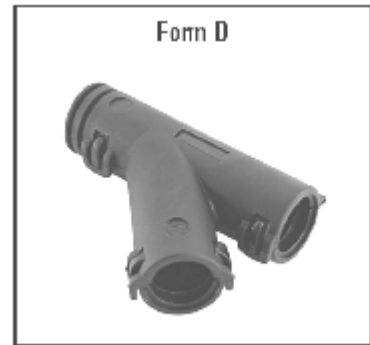
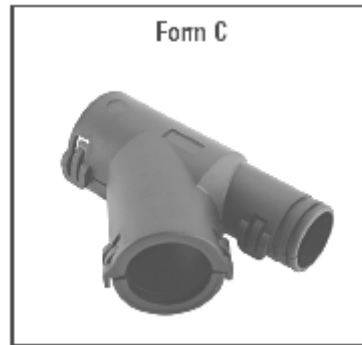
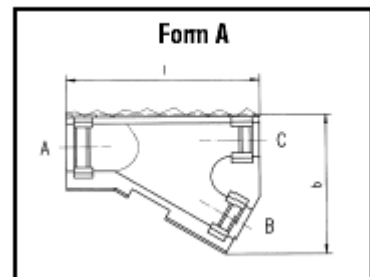
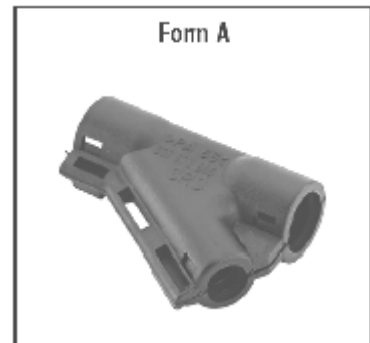
Polyamide 66

Maximum temperature:

240 h/150°C

Characteristics:

- outside gripping





V-Manifolds

black

Material:

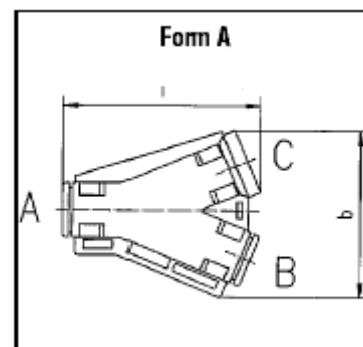
Polyamide 66

Maximum temperature:

240 h/150°C

Characteristics:

- outside gripping



M-Manifolds

black

Material:

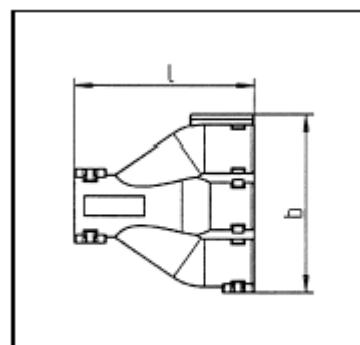
Polyamide 66

Maximum temperature:

240 h/150°C

Characteristics:

- outside gripping

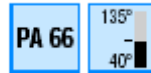




A-Manifolds

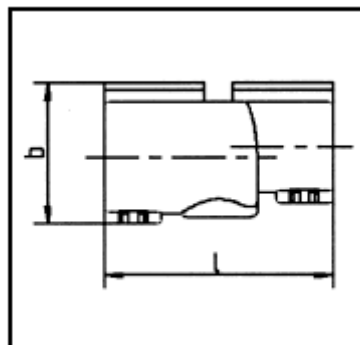
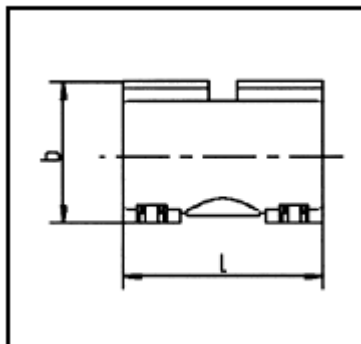
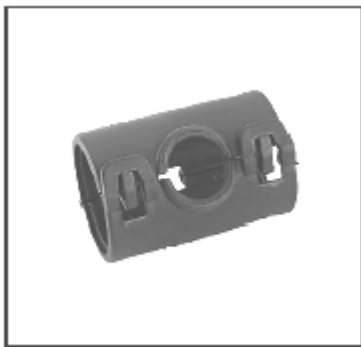
black

Material:
Polyamide 66



Maximum temperature:
240 h/150°C

Characteristics:
• outside gripping





T-Manifold

black

Material:

Polyamide 66

Maximum temperature:

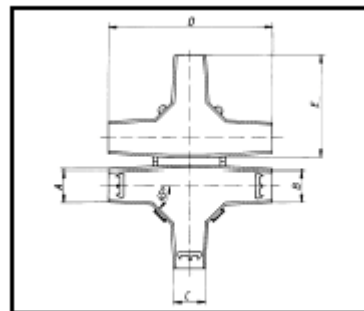
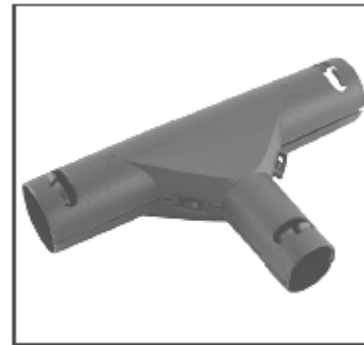
240 h/150°C

Characteristics:

- inside gripping

Features:

- for unslit corrugated tubes



Multiple manifold

black

Material:

Polyamide 66

Maximum temperature:

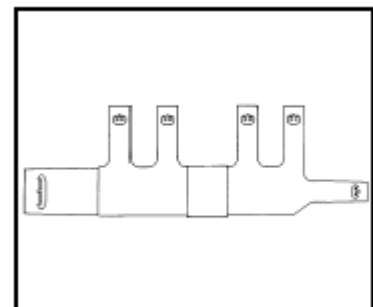
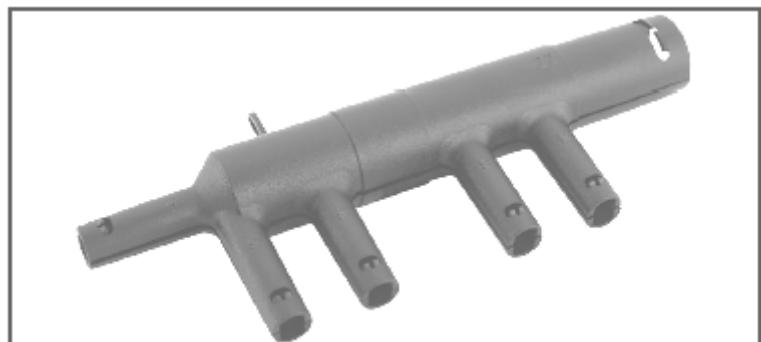
>240 h/150°C

Characteristics:

- inside gripping

Features:

- for unslit corrugated tubes





Y-Manifolds

black

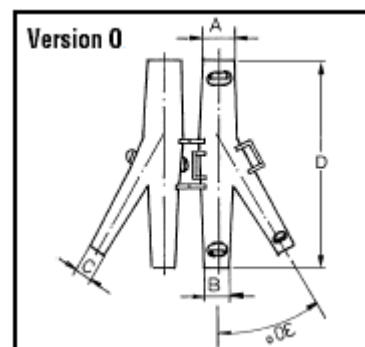
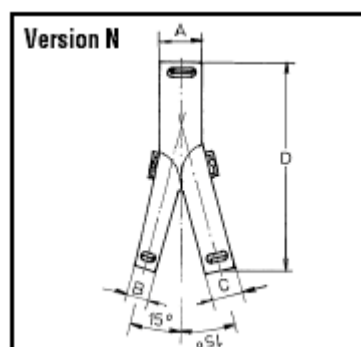
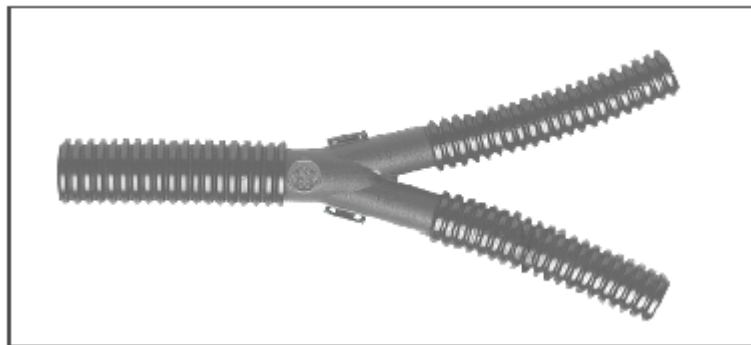
Material:
Polyamide 66



Maximum temperature:
>240 h/150°C

- Characteristics:**
- inside gripping
 - Grid nose for corrugated tube can be parted or shot

- Features:**
- for unslit corrugated tubes





Connector interfaces

Material:

Polyamide 66



Maximum temperature:

240 h/150°C

Characteristics:

- outside gripping

Features:

- Protection of the harness between end of the tube and connector
- Protection of the harness contact cells against splash- and straywater
- Enables traction relief for the conducting wire
- Enables a fixed guidance within the harness
- Better visual effect of the harness
- Easy to assemble

